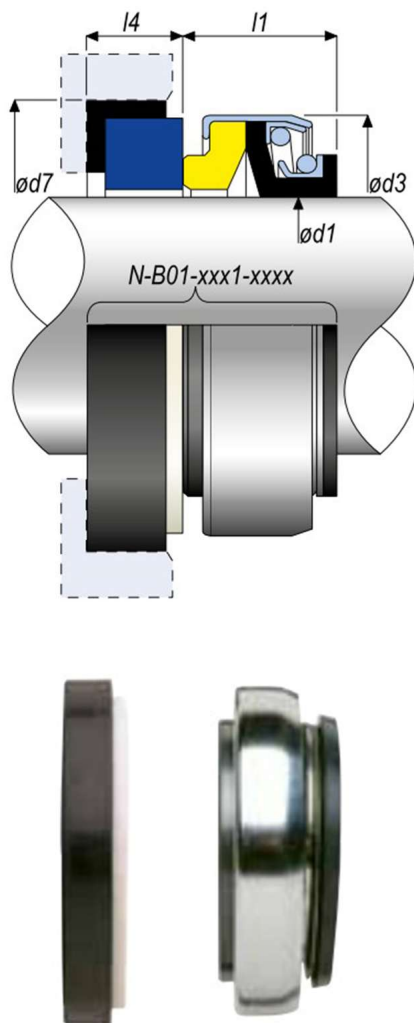


TENUTA ROT01 - STA10

ROTANTE NON BILANCIATA CON SOFFIETTO
IN GOMMA E MOLLA CILINDRICA BIDIREZIONALE



Illustrata con stazionario STA10.
Disponibile con anelli stazionari di differente profilo.

Materiali faccia rotante: CB - SC
Materiali faccia stazionaria: CR - SC
Materiali elastomeri: NBR - FKM - EPDM

Pressione massima: 10 BAR
Velocità massima: 10 metri al secondo
Temperatura massima: 200 °C (dipende dal soffiETTO)

ROT01				
D1	D3	D7	L1	L4
8.0	24.0	26.0	11.0	8.0
8.0	20.0	18.0	11.0	4.8
8.0	20.0	22.0	11.0	4.2
10.0	24.0	26.0	11.0	8.0
11.0	24.0	26.0	11.0	8.0
12.0	24.0	26.0	11.0	8.0
12.0	24.0	26.0	13.0	8.0
12.0	32.0	35.0	13.0	8.0
12.0	24.0	26.0	11.0	6.6
12.0	24.0	25.0	11.0	5.0
13.0	24.0	26.0	13.0	8.0
13.0	24.0	26.0	11.0	5.6
13.0	24.0	26.0	15.0	8.0
13.0	24.0	25.0	16.4	7.8
14.0	32.0	35.0	13.0	8.0
14.0	28.0	26.0	13.0	8.0
14.0	32.0	29.5	13.0	8.0
15.0	35.0	38.0	13.0	8.0
15.0	35.0	29.5	13.0	8.0
15.0	32.0	29.5	13.0	8.0
16.0	35.0	38.0	13.0	8.0
16.0	39.0	42.0	13.0	8.0
16.0	35.0	29.5	13.0	8.0
17.0	39.0	42.0	13.0	8.0
18.0	39.0	42.0	13.0	8.0
19.0	39.0	42.0	13.0	8.0
20.0	39.0	42.0	13.0	8.0
20.0	42.0	45.0	13.0	10.0
20.0	34.8	35.0	16.0	7.5
22.0	42.0	45.0	13.0	10.0
23.0	47.0	50.0	13.5	10.0
24.0	47.0	50.0	13.5	10.0
25.0	47.0	50.0	13.5	10.0
25.0	42.0	50.0	13.3	10.0
25.0	42.0	40.0	13.3	7.5
25.0	42.0	40.0	12.8	6.0
25.0	47.0	57.0	13.5	7.0
28.0	54.0	57.0	15.0	10.0
30.0	54.0	57.0	15.0	10.0
32.0	54.0	57.0	15.0	10.0
35.0	60.0	63.0	16.0	10.0
38.0	65.0	68.0	17.0	12.0
40.0	65.0	68.0	17.0	12.0
45.0	70.0	73.0	20.0	12.0
50.0	85.0	88.0	24.0	15.0
55.0	85.0	88.0	24.0	15.0
60.0	105.0	110.0	30.0	15.0
65.0	105.0	110.0	30.0	15.0
70.0	105.0	110.0	32.0	15.0

Intercambiabile con: AES B01
Burgmann BT-AR
Cyclam DR
Flowserve 118
John Crane PR/DR
Latty T750
Roten 378-L5
Vulcan 18