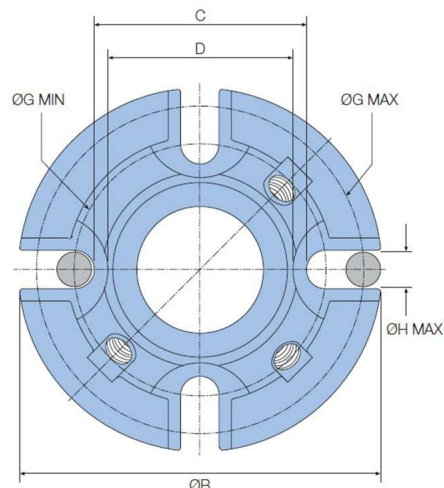
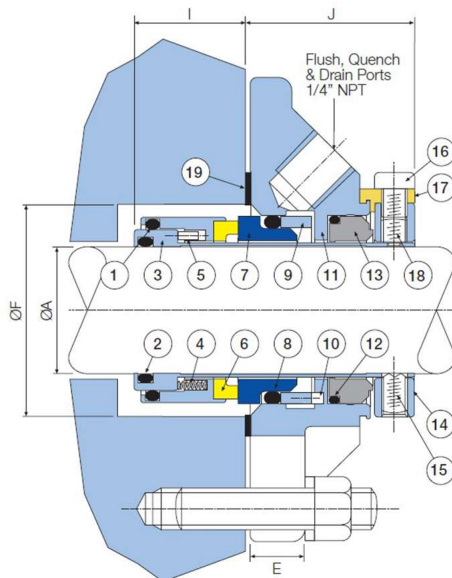
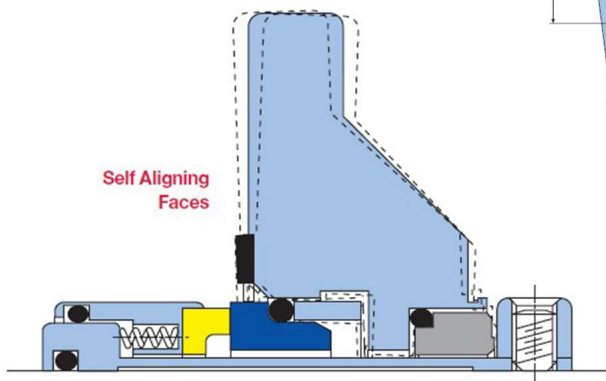


# Tenuta a cartuccia CAS 06

**FACCE BILANCIATE  
MOLLE MULTIPLE ROTANTI**



Self Aligning  
Faces



Intercambiabile con AES<sub>R</sub> CURC

Disponibile anche nelle versioni:

CAS 06 ANSI

CAS 06 CRCO - Con anello di tenuta esterno (Quench)

A	B	C	D	E	ØF min	ØF max	ØG min	ØG max	ØH max	I	I (Exotic Only)	J
24	104.8	54.0	49.2	13.2	40.0	43.9	67.0	90.5	12.0	27.9	31.1	40.6
25	104.8	54.0	49.2	13.2	41.0	46.9	67.0	90.5	12.0	27.9	31.1	40.6
28	108.0	57.2	52.4	13.2	44.0	50.2	70.3	93.6	12.0	27.9	31.1	40.6
30	111.0	60.4	55.6	13.2	46.0	53.4	73.5	96.8	12.0	27.9	31.1	40.6
32	111.0	60.4	55.6	13.2	48.0	53.4	73.5	96.8	12.0	27.9	31.1	40.6
33	111.0	60.4	55.6	13.2	49.0	53.4	73.5	96.8	12.0	27.9	31.1	40.6
35	111.0	63.5	58.8	13.2	51.0	55.6	76.6	96.8	12.0	27.9	31.1	40.6
38	127.0	71.5	65.0	16.4	57.2	60.4	85.7	114.3	12.0	28.6	31.8	44.5
40	127.0	71.5	65.0	16.4	58.0	60.4	85.7	114.3	12.0	28.6	31.8	44.5
43	139.7	81.0	71.4	16.4	61.0	69.9	95.3	127.0	12.0	28.6	31.8	44.5
45	139.7	81.0	71.4	16.4	63.5	69.9	95.3	127.0	12.0	28.6	31.8	44.5
48	139.7	81.0	71.4	16.4	66.7	73.0	95.3	127.0	12.0	28.6	31.8	44.5
50	152.4	90.5	77.8	16.4	68.0	76.2	104.8	139.7	12.0	28.6	31.8	44.5
53	152.4	90.5	77.8	16.4	71.0	76.2	104.8	139.7	12.0	28.6	31.8	44.5
55	165.1	96.8	84.1	16.4	74.0	82.5	114.3	149.2	16.0	28.6	31.8	44.5
58	165.1	96.8	84.1	16.4	76.2	82.6	114.3	149.2	16.0	28.6	31.8	44.5
60	165.1	96.8	84.1	16.4	79.4	85.7	114.3	149.2	16.0	28.6	31.8	44.5
63	177.8	109.5	96.8	19.6	85.8	92.1	127.0	160.3	16.0	31.8	36.3	47.8
65	177.8	109.5	96.8	19.6	88.9	95.3	127.0	160.3	16.0	31.8	36.3	47.8
68	177.8	109.5	96.8	19.6	92.1	98.4	127.0	160.3	16.0	31.8	36.3	47.8
70	177.8	109.5	96.8	19.6	92.1	98.4	127.0	160.3	16.0	31.8	36.3	47.8
75	190.5	125.4	108.0	19.6	98.5	108.0	142.9	173.0	16.0	31.8	36.3	47.8
80	190.5	125.4	108.0	19.6	101.6	111.1	142.9	173.0	16.0	31.8	36.3	47.8
85	203.2	135.0	117.5	19.6	108.0	117.5	155.6	182.5	20.0	31.8	36.3	47.8
90	215.9	150.8	127.0	19.6	114.3	127.0	171.5	195.2	20.0	31.8	36.3	47.8
95	215.9	150.8	127.0	19.6	117.5	130.2	171.5	195.2	20.0	31.8	36.3	47.8
100	228.6	168.3	136.5	19.6	123.9	139.7	188.9	207.9	20.0	31.8	36.3	47.8
105	228.6	168.3	136.5	19.6	130.1	149.2	189.0	208.0	20.0	31.8	36.3	47.8
110	241.3	177.8	146.1	19.6	136.5	158.8	198.4	220.6	20.0	31.8	36.3	47.8
115	254.0	186.6	155.6	19.6	142.9	168.3	211.1	230.2	22.0	31.8	36.3	47.8
120	254.0	186.6	155.6	19.6	142.9	168.3	211.1	230.2	22.0	31.8	36.3	47.8
125	254.0	186.6	155.6	19.6	149.2	168.3	211.1	230.2	22.0	31.8	36.3	47.8

Temperatura: da -40 a +220 °C (dipende dal materiale degli o-rings)

Pressione: fino a 25 BAR (dipende dal materiale delle facce)

Velocità: fino a 16 mt/sec. (dipende dal materiale delle facce)