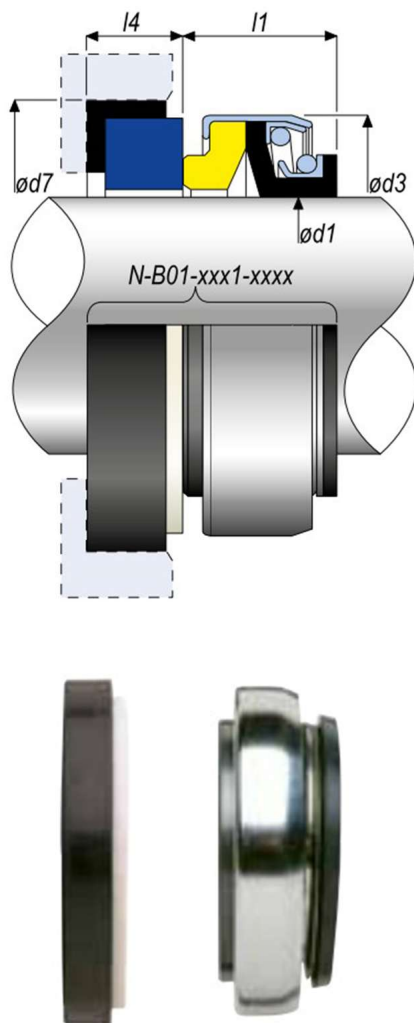


TENUTA ROT01 - STA10

ROTANTE NON BILANCIATA CON SOFFIETTO
IN GOMMA E MOLLA CILINDRICA BIDIREZIONALE



Illustrata con stazionario STA10.
Disponibile con anelli stazionari di differente profilo.

Materiali faccia rotante: CB - SC
Materiali faccia stazionaria: CR - SC
Materiali elastomeri: NBR - FKM - EPDM

Pressione massima: 10 BAR
Velocità massima: 10 metri al secondo
Temperatura massima: 200 °C (dipende dal soffietto)

| ROT01 | | | | |
|-------|-------|-------|------|------|
| D1 | D3 | D7 | L1 | L4 |
| 8.0 | 24.0 | 26.0 | 11.0 | 8.0 |
| 8.0 | 20.0 | 18.0 | 11.0 | 4.8 |
| 8.0 | 20.0 | 22.0 | 11.0 | 4.2 |
| 10.0 | 24.0 | 26.0 | 11.0 | 8.0 |
| 11.0 | 24.0 | 26.0 | 11.0 | 8.0 |
| 12.0 | 24.0 | 26.0 | 11.0 | 8.0 |
| 12.0 | 24.0 | 26.0 | 13.0 | 8.0 |
| 12.0 | 32.0 | 35.0 | 13.0 | 8.0 |
| 12.0 | 24.0 | 26.0 | 11.0 | 6.6 |
| 12.0 | 24.0 | 25.0 | 11.0 | 5.0 |
| 13.0 | 24.0 | 26.0 | 13.0 | 8.0 |
| 13.0 | 24.0 | 26.0 | 11.0 | 5.6 |
| 13.0 | 24.0 | 26.0 | 15.0 | 8.0 |
| 13.0 | 24.0 | 25.0 | 16.4 | 7.8 |
| 14.0 | 32.0 | 35.0 | 13.0 | 8.0 |
| 14.0 | 28.0 | 26.0 | 13.0 | 8.0 |
| 14.0 | 32.0 | 29.5 | 13.0 | 8.0 |
| 15.0 | 35.0 | 38.0 | 13.0 | 8.0 |
| 15.0 | 35.0 | 29.5 | 13.0 | 8.0 |
| 15.0 | 32.0 | 29.5 | 13.0 | 8.0 |
| 16.0 | 35.0 | 38.0 | 13.0 | 8.0 |
| 16.0 | 39.0 | 42.0 | 13.0 | 8.0 |
| 16.0 | 35.0 | 29.5 | 13.0 | 8.0 |
| 17.0 | 39.0 | 42.0 | 13.0 | 8.0 |
| 18.0 | 39.0 | 42.0 | 13.0 | 8.0 |
| 19.0 | 39.0 | 42.0 | 13.0 | 8.0 |
| 20.0 | 39.0 | 42.0 | 13.0 | 8.0 |
| 20.0 | 42.0 | 45.0 | 13.0 | 10.0 |
| 20.0 | 34.8 | 35.0 | 16.0 | 7.5 |
| 22.0 | 42.0 | 45.0 | 13.0 | 10.0 |
| 23.0 | 47.0 | 50.0 | 13.5 | 10.0 |
| 24.0 | 47.0 | 50.0 | 13.5 | 10.0 |
| 25.0 | 47.0 | 50.0 | 13.5 | 10.0 |
| 25.0 | 42.0 | 50.0 | 13.3 | 10.0 |
| 25.0 | 42.0 | 40.0 | 13.3 | 7.5 |
| 25.0 | 42.0 | 40.0 | 12.8 | 6.0 |
| 25.0 | 47.0 | 57.0 | 13.5 | 7.0 |
| 28.0 | 54.0 | 57.0 | 15.0 | 10.0 |
| 30.0 | 54.0 | 57.0 | 15.0 | 10.0 |
| 32.0 | 54.0 | 57.0 | 15.0 | 10.0 |
| 35.0 | 60.0 | 63.0 | 16.0 | 10.0 |
| 38.0 | 65.0 | 68.0 | 17.0 | 12.0 |
| 40.0 | 65.0 | 68.0 | 17.0 | 12.0 |
| 45.0 | 70.0 | 73.0 | 20.0 | 12.0 |
| 50.0 | 85.0 | 88.0 | 24.0 | 15.0 |
| 55.0 | 85.0 | 88.0 | 24.0 | 15.0 |
| 60.0 | 105.0 | 110.0 | 30.0 | 15.0 |
| 65.0 | 105.0 | 110.0 | 30.0 | 15.0 |
| 70.0 | 105.0 | 110.0 | 32.0 | 15.0 |

Intercambiabile con: AES B01
Burgmann BT-AR
Cyclam DR
Flowserve 118
John Crane PR/DR
Latty T750
Roten 378-L5
Vulcan 18